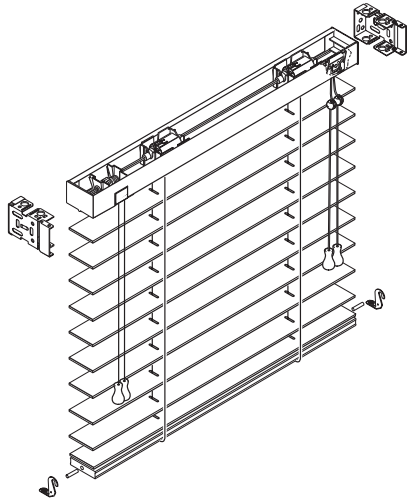


# DATA SHEET

## GRABER® LAKE FOREST® 2" PREMIUM FAUX WOOD BLINDS

### Product Features



- Flat PVC slats meet NFPA 701
- SureClose™ headrail system
- Cord tilt standard
- Wand tilt option
- Braided ladder standard
- NoHoles™ privacy option
- 2½" slat option
- Fabric tape option
- Cordless
- Five year warranty

### Product Specifications

**SureClose™ Headrail** shall be 1<sup>5</sup>/<sub>8</sub>" high x 2<sup>1</sup>/<sub>4</sub>" wide x .022" thick U-shaped, extruded steel with 1<sup>1</sup>/<sub>8</sub>" light-blocking lip on the bottom center line. The steel finishing process includes phosphate treatment for corrosion resistance, a chrome-free sealer, a low HAP urethane primer and a topcoat with low HAP, polyester-baked enamel.

**Valance** Choices include Classic and Majestic.

**Cord Tilter** shall be a snap-in component incorporating a worm and pulley of low-friction thermoplastic and nylon gear. Tilt cords shall be secured to pulley and treated with tassels at tilt end.

**Tilt rod** shall be electro-zinc coated solid steel measuring ¼" square.

**Cord lock** shall be metal of a snap-in design incorporating a floating, shaft-type locking pin and shall incorporate a crash-proof safety feature that will lock blind automatically upon release of cord.

**Cradles** shall be made of low-friction polypropylene with metal lift cord rollers.

**Drums** shall be made of high strength thermoplastic, which securely anchors braided ladder.

**Braided ladder** shall be made of 100% polyester yarn, incorporating two extra strength rungs per ladder for slat support. Standard ladder spacing shall be 44mm.

**Installation brackets** shall be a universal style with hinged front cover phosphate-treated steel with urethane primer and polyester-baked enamel finish to match headrail.

**Slats** shall be rigid, UV-stabilized, flat PVC nominally 2" wide x .10" thick with straight cut edges. Slats meet the requirement of NFPA 701 Test Method 1-2004 edition.

**Bottomrail** shall be extruded foam PVC 9<sup>1</sup>/<sub>16</sub>" high x 2" wide in a trapezoid shape to improve closure and shall coordinate with slats.

**Cordless lift** option uses 2" x 2 ¼" steel headrail with wand tilt only. Available on 2" and 2 ½" slats only.

#### Options:

- NoHoles™ privacy slat
- Fabric tapes 1½" or 1"
- Wand tilt (2" only)
- Ring pull
- Ring tilt (2" only)
- Extension brackets
- Hold-down brackets
- Cut-outs